

## Spare parts list

**(15241000) HD 6/16 - 4M \*EU**

**(15241010) HD 6/16 - 4 MX \*EU**

**(15241030) HD 6/13 -4M Plus \*GB**

**(15241040) HD 6/11 4M Plus \*GB**

**(15241050) HD 7/11 -4M \*KAP**

**(15241060) HD 7/11 -4M \*KAP**

**(15241070) HD 6/16-4M PLUS \*EU**

**(15241080) HD 6/16-4MX PLUS\*EU**

**(15241090) HD 6/15 -4MX Plus \*AU**

**(15241100) HD 3.0/20- 4M Ea**

# CONTENT LIST

## 1.0 Housing

- 1.1 Housing
- 1.2 Hose reel

## 2.0 PUMP SET

- 2.1 Cylinder head  
[1.524-100.0/-103/-104/-105/-106/-107/-110](#)
- 2.2 Cylinder head  
[1.524-101.0/-108/-109](#)
- 2.3 Thrust guidance

## 3.0 MOTOR

- 3.1 Transmission
- 3.2 Ventilation

## 4.0 ACCESSORIES

- 4.1 Trigger gun
- 4.2 Jet pipe
- 4.3 Nozzle
- 4.4 Nozzle  
[/1.524-110.0](#)

## 5.0 Electric box

- 5.1 Electric box  
[/1.524-104.0](#)
- 5.2 Electric box  
[Version 1](#)
- 5.3 Electric box  
[Version 2](#)

## 1.0 Housing

- 1.1 Housing
- 1.2 Hose reel

## 2.0 PUMP SET

- 2.1 Cylinder head  
[1.524-100.0/-103/-104/-105/-106/-107/-110](#)
- 2.2 Cylinder head  
[1.524-101.0/-108/-109](#)
- 2.3 Thrust guidance

## 3.0 MOTOR

- 3.1 Transmission
- 3.2 Ventilation

## 4.0 ACCESSORIES

- 4.1 Trigger gun
- 4.2 Jet pipe
- 4.3 Nozzle
- 4.4 Nozzle  
[/1.524-110.0](#)

## 5.0 Electric box

- 5.1 Electric box  
[/1.524-104.0](#)
- 5.2 Electric box  
[Version 1](#)
- 5.3 Electric box  
[Version 2](#)

## 1.0 Housing

- 1.1 Housing
- 1.2 Hose reel

# CONTENT LIST

## 2.0 PUMP SET

### 2.1 Cylinder head

[1.524-100.0/-103/-104/-105/-106/-107/-110](#)

### 2.2 Cylinder head

[1.524-101.0/-108/-109](#)

### 2.3 Thrust guidance

## 3.0 MOTOR

### 3.1 Transmission

### 3.2 Ventilation

## 4.0 ACCESSORIES

### 4.1 Trigger gun

### 4.2 Jet pipe

### 4.3 Nozzle

### 4.4 Nozzle

[/1.524-110.0](#)

## 5.0 Electric box

### 5.1 Electric box

[/1.524-104.0](#)

### 5.2 Electric box

[Version 1](#)

### 5.3 Electric box

[Version 2](#)

## 1.0 Housing

### 1.1 Housing

### 1.2 Hose reel

## 2.0 PUMP SET

### 2.1 Cylinder head

[1.524-100.0/-103/-104/-105/-106/-107/-110](#)

### 2.2 Cylinder head

[1.524-101.0/-108/-109](#)

### 2.3 Thrust guidance

## 3.0 MOTOR

### 3.1 Transmission

### 3.2 Ventilation

## 4.0 ACCESSORIES

### 4.1 Trigger gun

### 4.2 Jet pipe

### 4.3 Nozzle

### 4.4 Nozzle

[/1.524-110.0](#)

## 5.0 Electric box

### 5.1 Electric box

[/1.524-104.0](#)

### 5.2 Electric box

[Version 1](#)

### 5.3 Electric box

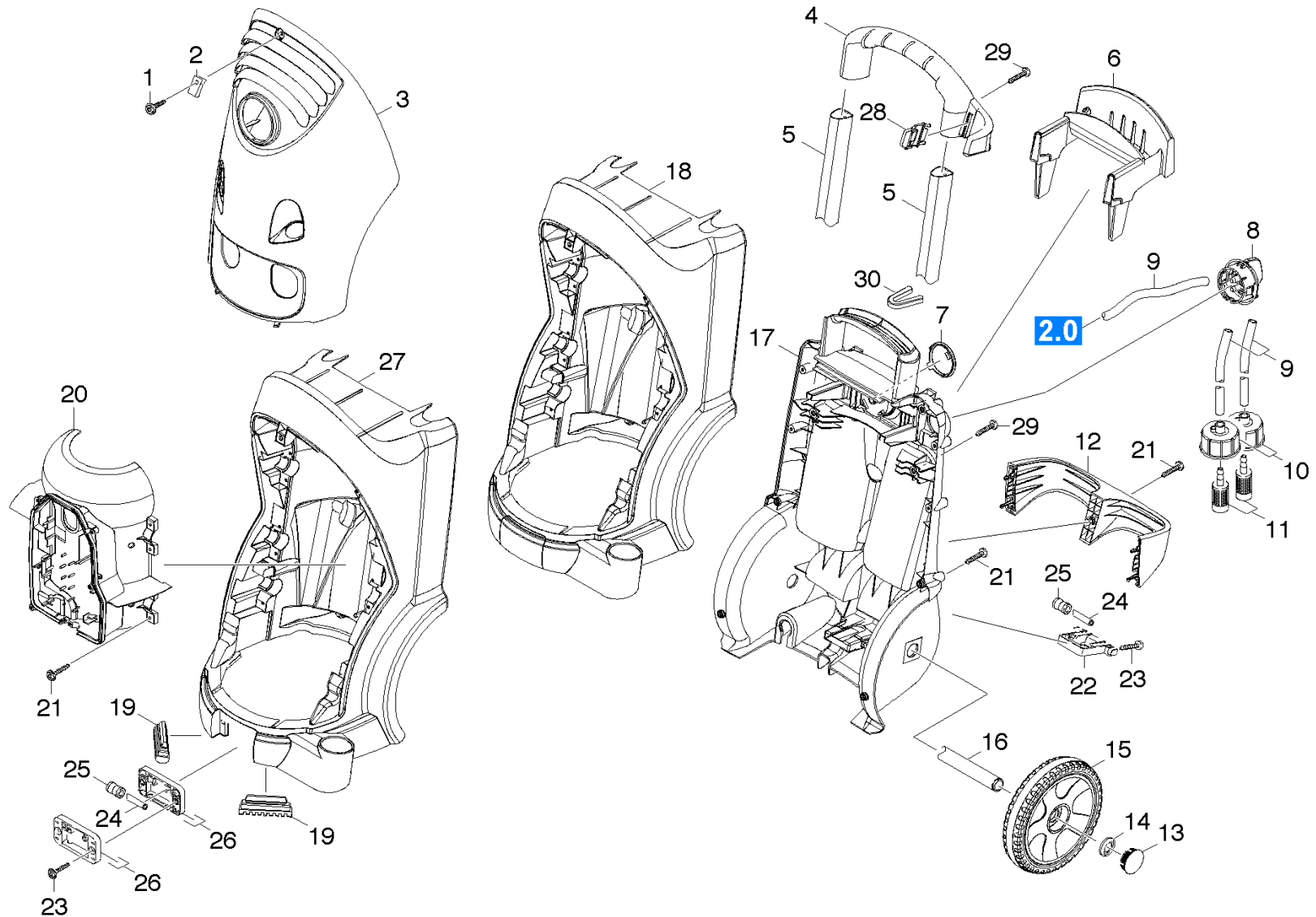
[Version 2](#)

## 1.0 Housing

1.1 Housing  
1.2 Hose reel



## 1.1 Housing



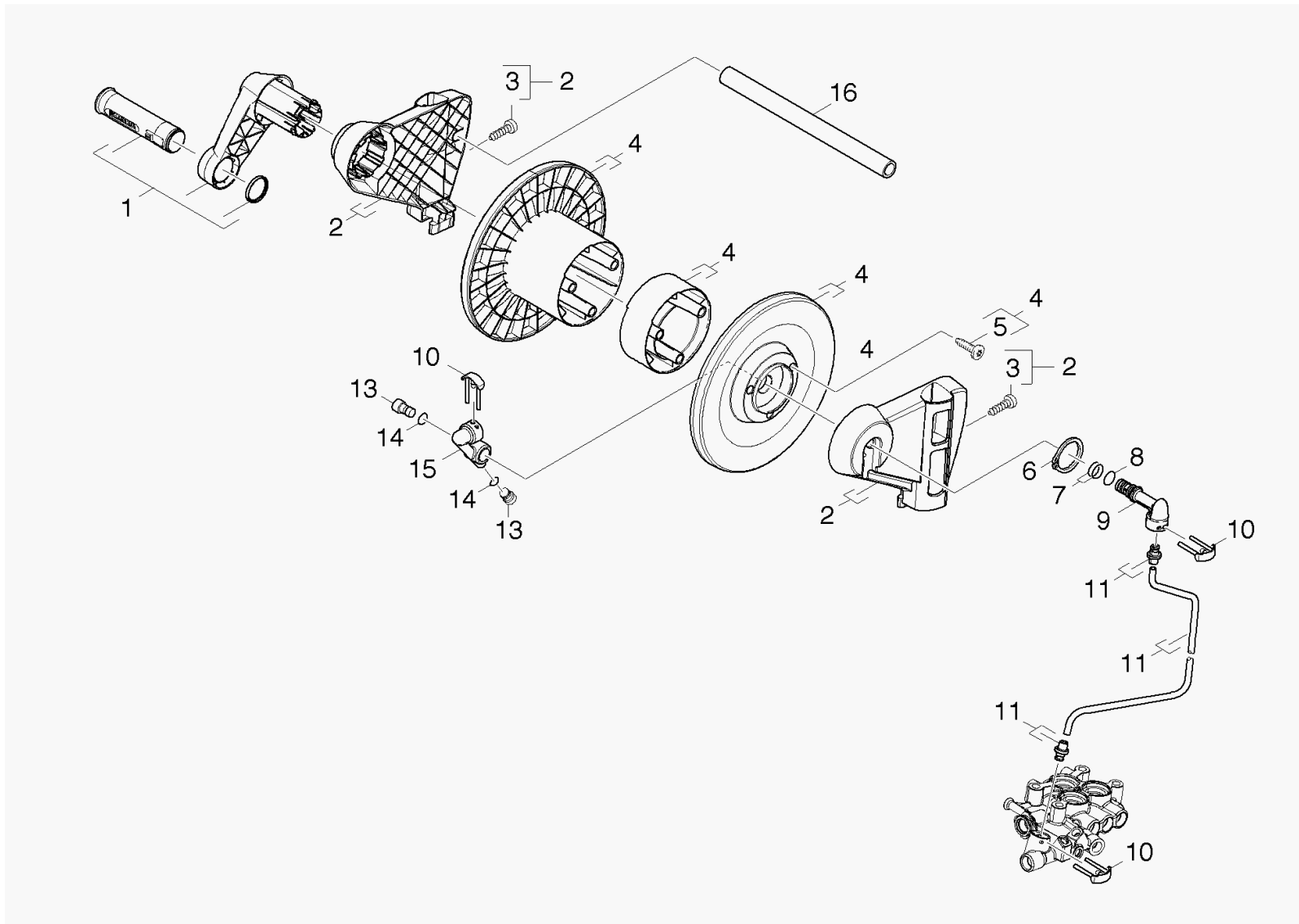
## 1.1 Housing

POS	DESCRIPTION ADDITIONAL INFORMATIONS	PART NO	QTY.	FROM SER.NR.	UP TO SER. NR.
1	Saucer-head screw M 6x 18-4.8-R2R	63040990	1		
2	Putting nut	63100530	1		
3	Cover	50691550	1		
4	HANDLE	53217510	1		
5	BAR	51072620	2		
6	BRACKET	50447350	1		
7	Covering cap for cover	50324750	1		
8	Proportioning valve chemistry	45806450	1		
9	Hose DN 5	63882160	1		
	<b>TO ORDER AS CUT GOODS</b>				
10	Cover cleaning agents	40606250	2		
11	Filter with weight	57316090	2		
12	MOULDED PART	50327470	1		
13	WHEEL CAB	53920380	2		
14	CLAMP DISC	63432170	2		
15	Wheel	45152550	1		
16	Axle	51054130	1		
17	Frame rear panel	50502530	1		
18	Frame front part	50502580	1		
	<a href="#">1.524-100.0 / -103.0 / -104.0 / -107.0 / -110</a>				
19	Support	50570620	2		
20	AIR CIRCULATION	56920750	1		
	<a href="#">1.524-100.0 / -105.0/-106.0 / -107.0/ -108.0</a>				
20	Air circulation	56920840	1		
	<a href="#">1.524-104.0</a>				
20	Air circulation UL	56920870	1		
	<a href="#">/1.524-110.0</a>				
21	Screw 5x20 -10.9-R2R (In6Rd)	73031080	19		
22	TAPE ROLL HOLDER hinten	50446470	1		
	<a href="#">1.524-101.0 / -106.0 / -108.0 / -109.0</a>				
23	Screw 5x35 -10.9-R2R (In6Rd)	73031100	4		
24	Axle	51285110	4		

## 1.1 Housing

POS	DESCRIPTION ADDITIONAL INFORMATIONS	PART NO	QTY.	FROM SER.NR.	UP TO SER. NR.
25	ROLLER <a href="#">1.524-101.0 / -106.0 / -108.0 / -109.0</a>	55151910	4		
26	TAPE ROLL HOLDER vorne <a href="#">1.524-101.0 / -106.0 / -108.0 / -109.0</a>	50446460	2		
27	Frame front part <a href="#">1.524-101.0 / -106.0 / -108.0 / -109.0</a>	50502520	1		
28	BRACKET <a href="#">1.524-101.0 / -106.0 / -108.0 / -109.0</a>	50442160	1		
29	Screw M6x20 -St-R3R (In6Rd)	73030480	8		
30	Moulded part <a href="#">1.524-106.0 / -108.0</a>	50327820	1		

## 1.2 Hose reel





## 1.2 Hose reel

POS	DESCRIPTION ADDITIONAL INFORMATIONS	PART NO	QTY.	FROM SER.NR.	UP TO SER. NR.
1	CRANK kpl.	44812130	1		
2	Spare parts set	28848570	1		
3	Screw M6x20 -St-R3R (In6Rd)	73030480	2		
4	Spare parts set	28848580	1		
5	Screw 5x60 - St. verz. bl.	63033290	3		
6	SPRING CLIP	73430180	1		
7	O RING COMP	63624660	1		
8	O RING	63627030	1		
9	MANIFOLD	54273280	1		
10	HOOK	40370130	3		
11	Pipelines complete	44219110	1		
13	CLOSING SCREW M10X1	54111610	2		
14	O RING	63627030	2		
15	MANIFOLD	54273260	1		
16	Bar VA	51072630	1		

## 2.0 PUMP SET

### 2.1 Cylinder head

1.524-100.0/-103/-104/-105/-106/-107/-110

### 2.2 Cylinder head

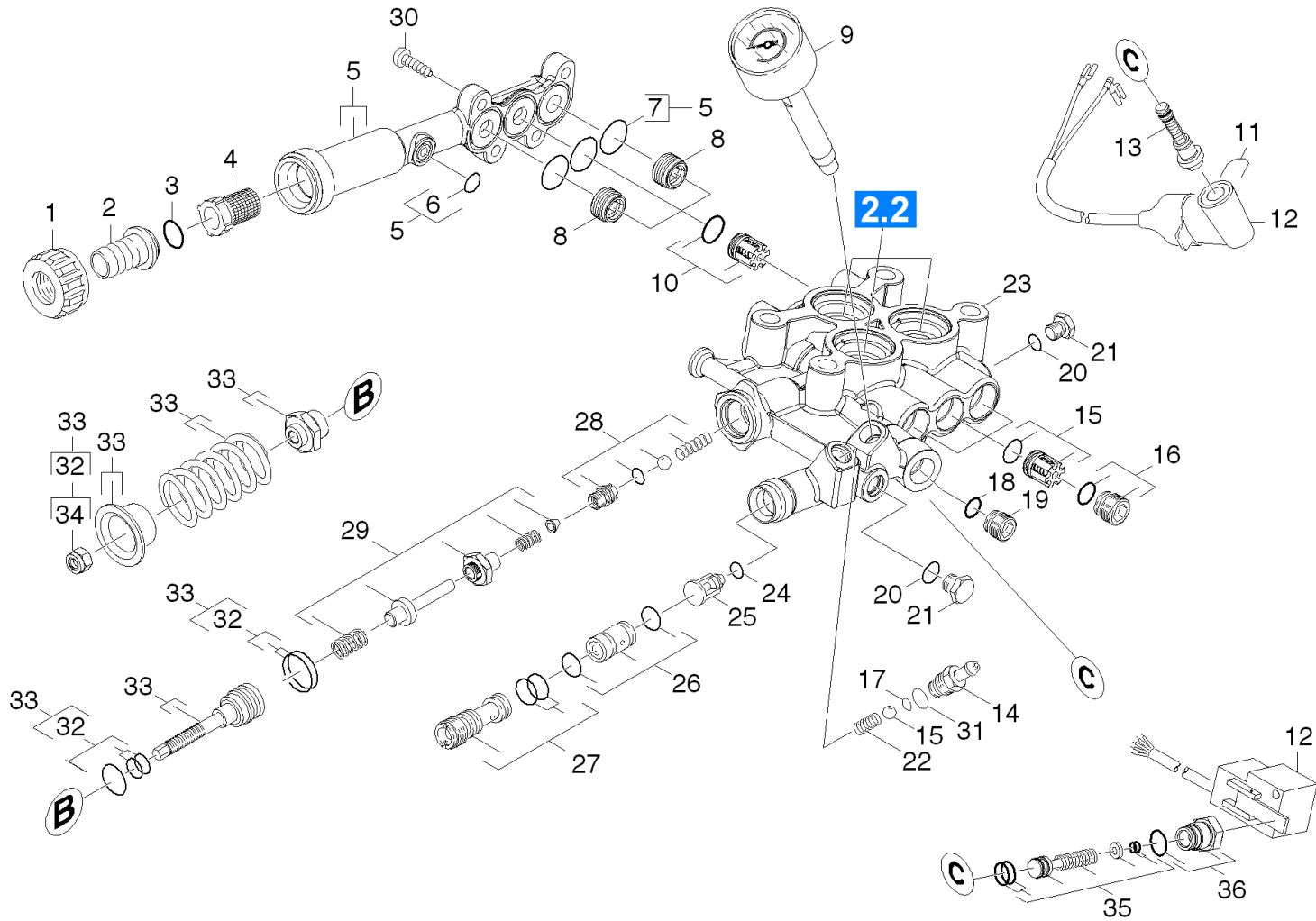
1.524-101.0/-108/-109

### 2.3 Thrust guidance



## 2.1 Cylinder head

1.524-100.0/-103/-104/-105/-106/-107/-110



## 2.1 Cylinder head

### 1.524-100.0/-103/-104/-105/-106/-107/-110

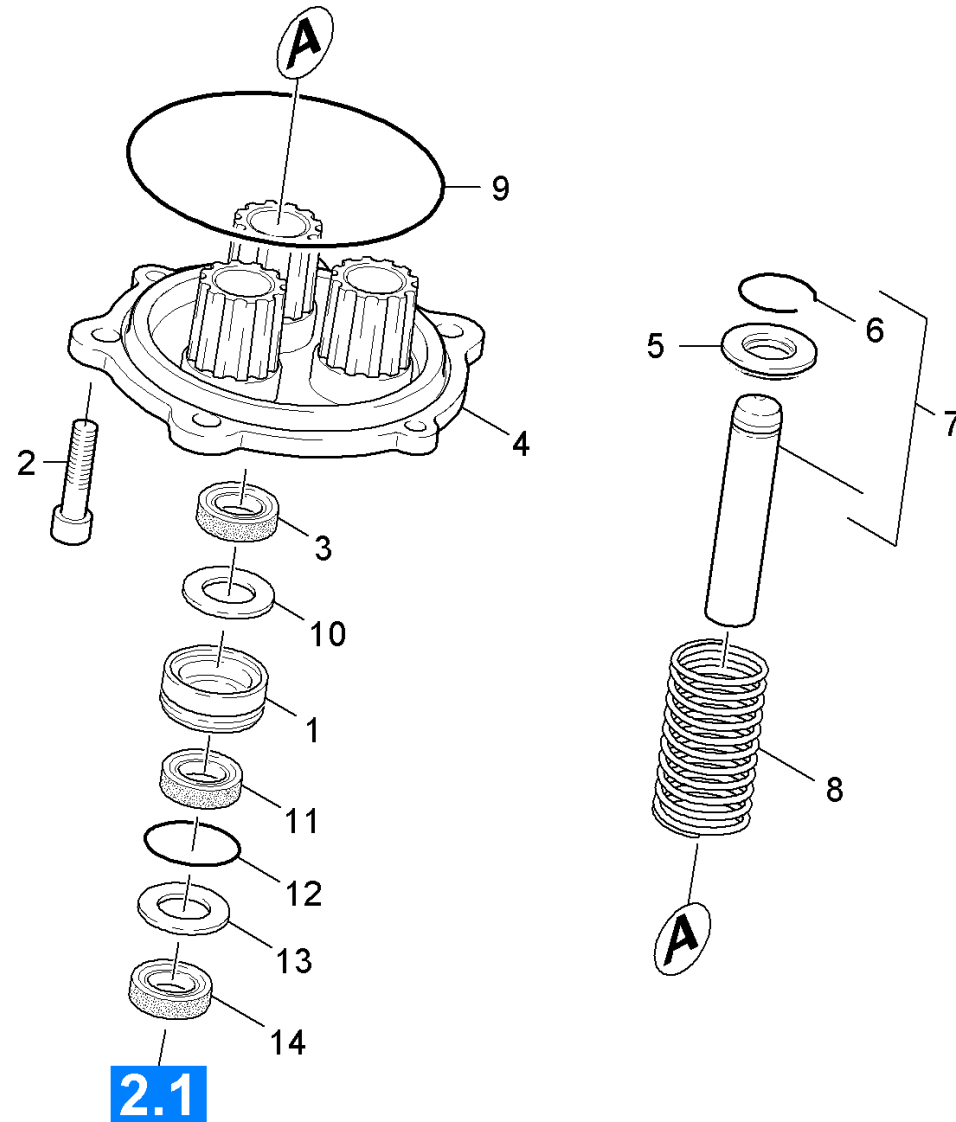
POS	DESCRIPTION ADDITIONAL INFORMATIONS	PART NO	QTY.	FROM SER.NR.	UP TO SER. NR.
1	NUT	53100760	1		
2	Hose stem	54432910	1		
3	O RING	63621610	1		
4	FILTER	64141410	1		
5	Suction cover complete	40640050	1		
6	O RING	63623880	1		
7	O-RING	63625470	3		
8	Valve screw M20x1	55831770	2		
9	Pressure gauge complete	44220110	1		
10	VALVE	45803290	6		
11	Strap	50344940	1		
12	Switch complete	47442010	1		
	<a href="#">/1.524-100.0/-103.0/-105.0/-106.0/-107.0</a>				
12	Switch complete only for replacement	47442210	1		
	<a href="#">/1.524-110.0</a>				
12	2-Phases-Switch	66354930	1		
	<a href="#">/1.524-104.0</a>				
13	SPARE PARTS SET	28839880	1		
14	Nipple	54433550	1		
15	Sphere 7 G300 -1.4301 DIN 5401	74019080	1		
16	Valve screw	44830010	3		
17	O RING 5.28X 1.78	63621750	1		
18	O RING 9.5 X 2.0	63625280	1		
19	VALVE SCREW M16x1	54111680	1		
20	GASKET	63626420	1		
21	SCREW PLUG	54110700	1		
22	COIL SPRING	53322580	1		
23	Cylinder head	45507000	1		
	<a href="#">1.524-100.0 / -103.0 / -104.0 / -107.0 /</a>				
23	Spare part cylinder head complete	45508030	1		
	<a href="#">/1.524-105.0</a>				
23	Spare part cylinder head complete HD7/11	45508040	1		

## 2.1 Cylinder head

### 1.524-100.0/-103/-104/-105/-106/-107/-110

POS	DESCRIPTION ADDITIONAL INFORMATIONS	PART NO	QTY.	FROM SER.NR.	UP TO SER. NR.
	<a href="#">/1.524-106.0/-110.0</a>				
24	GASKET	63628510	1		
25	VALVE PIN	55840910	1		
26	Spare part set nozzle insert	28848520	1		
26	Spare part set nozzle insert	28848530	1		
	<a href="#">/1.524-110.0</a>				
27	Nozzle insert complete	47690520	1		
28	Valve seat complete HD6/16	44812250	1		
29	Spare parts set excess-current	28848560	1		
30	Cylinder head screw M6x25 -8.8-A2E ISO4	73060230	4		
31	O RING	63626900	1		
32	Spare parts set	28845510	1		
33	Set excess-current	45910540	1		
33	Set excess-current	45910580	1		
	<a href="#">1.524-104.0</a>				
34	Hexagon nut M 8-8-A2E ISO 7040	73115100	1		
35	SPARE PARTS SET Magnetventil	28842690	1		
	<a href="#">/1.524-104.0</a>				
36	Spare parts set HD 7/18 M	44110110	1		
	<a href="#">/1.524-104.0</a>				
100	Spare parts set pump high-pressure 6/16	28848820	1		
100	Spare parts set pump high-pressure 7/18	28848830	1		
	<a href="#">/1.524-105.0</a>				

## 2.3 Thrust guidance



## 2.3 Thrust guidance

POS	DESCRIPTION ADDITIONAL INFORMATIONS	PART NO	QTY.	FROM SER.NR.	UP TO SER. NR.
1	Bush	51124020	3		
2	Screw M6x25 -8.8-R3R (In6Rd)	73060940	2		
3	GROOVED RING 16X24X7	63653220	3		
4	HOUSING	50610830	1		
5	Washer for D16	51161500	3		
6	Snap ring A16 -FST DIN 7993	73434780	3		
7	Piston complete <a href="#">/1.524-100.0 / -101.0 / -103.0 / -106.0/ -107.0 / -108.0 / -109.0</a>	45532440	3		
7	Spare parts set Kolben kpl. <a href="#">/1.524-105.0</a>	45532450	1		
7	Piston complete nur fuer Ersatz <a href="#">/1.524-104.0 / -110.0</a>	45532620	3		
8	Helical spring	53325520	3		
9	GASKET 90,0 X 3,0	63621020	1		
10	WASHER	51154920	3		
11	Compact seal 16 x 24 x 4	63653510	3		
12	O RING	63623980	3		
13	WASHER	51154930	3		
14	LIP SEAL 16X24X5.3	63654080	3		

## 3.0 MOTOR

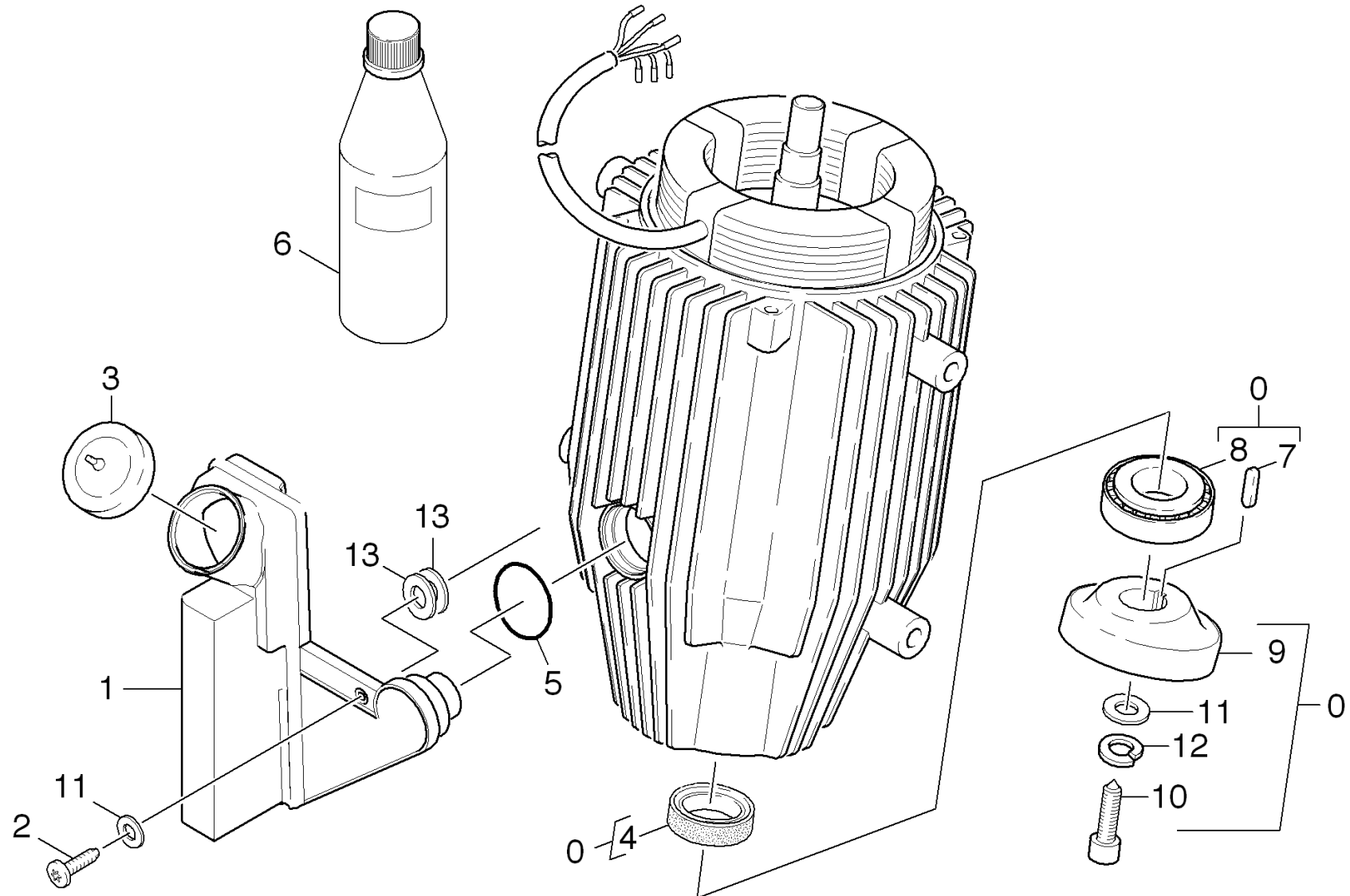
3.1 Transmission

3.2 Ventilation





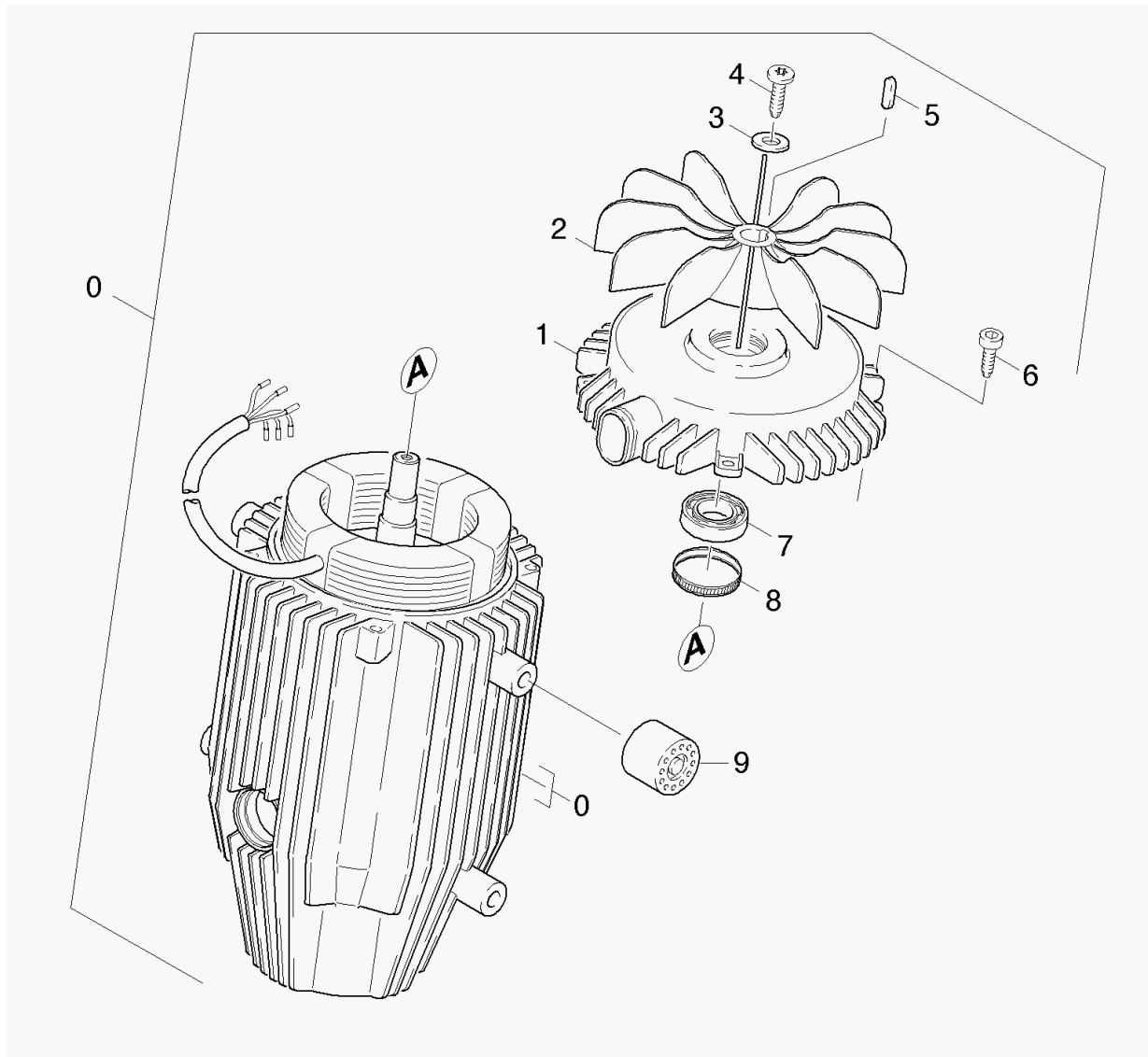
### 3.1 Transmission



### 3.1 Transmission

POS	DESCRIPTION ADDITIONAL INFORMATIONS	PART NO	QTY.	FROM SER.NR.	UP TO SER. NR.
0	Motor kpl. <a href="#">SEE RATING PLATE</a>	46236810	1		
0	Motor complete <a href="#">SEE RATING PLATE</a>	46237550	1		
0	Motor complete <a href="#">SEE RATING PLATE</a>	46237840	1		
0	Motor kpl. nur f. Ersatz <a href="#">SEE RATING PLATE</a>	46238070	1		
0	Motor complete HD 7/11-4M *KAP (f. Ersat <a href="#">/1.524-106.0</a>	46238120	1		
0	Motor complete only for replacement <a href="#">SEE RATING PLATE</a>	46238230	1		
1	Tank oil	50706580	1		
2	SCREW M 5X 15	63031530	1		
3	Cover	50633890	1		
4	ROTARY SHAFT SEAL 3	73671560	1		
5	GASKET 28,0 X 3,0	63627220	1		
6	OIL 1 LITRE	62880500	1		
7	SPRING	73180700	1		
8	Taper roller bearing	64013990	1		
9	Swash plate complete <a href="#">1.524-100.0 / -101.0 / -103.0 / -106.0/ -107.0 / -108 / -109.0</a>	41202140	1		
9	Swash plate complete <a href="#">1.524-103.0 / -104.0 / -105.0 / -110.0</a>	41202150	1		
10	SCREW	73060920	1		
11	Washer 6 -100HV-A3E ISO 7094	73122600	2		
12	Spring washer B 6-FSt-A3E DIN 127	73130030	1		
13	Washer 6 -200HV-A3E ISO 7090	73120030	2		

### 3.2 Ventilation



## 3.2 Ventilation

POS	DESCRIPTION ADDITIONAL INFORMATIONS	PART NO	QTY.	FROM SER.NR.	UP TO SER. NR.
0	Motor kpl. 1.524-100.0 / -103.0 / -106.0 / -107.01.524-108	46236810	1		
0	Motor complete 1.524-103.0 / -104.0	46237550	1		
0	Motor complete only for replacement /1.524-110.0	46238230	1		
1	Bearing cover B	50637070	1		
2	Blower wheel	56000460	1		
3	Washer 6 -100HV-A3E ISO 7094	73122600	1		
4	SCREW	73060920	1		
5	SPRING	73180790	1		
6	Self-tapping screw M6x20	63032650	1		
7	BALL BEARING	64012850	1		
8	TOLERANCE RING	63431710	1		
9	Rubber buffer	57670050	1		

## 4.0 ACCESSORIES

4.1 Trigger gun

4.2 Jet pipe

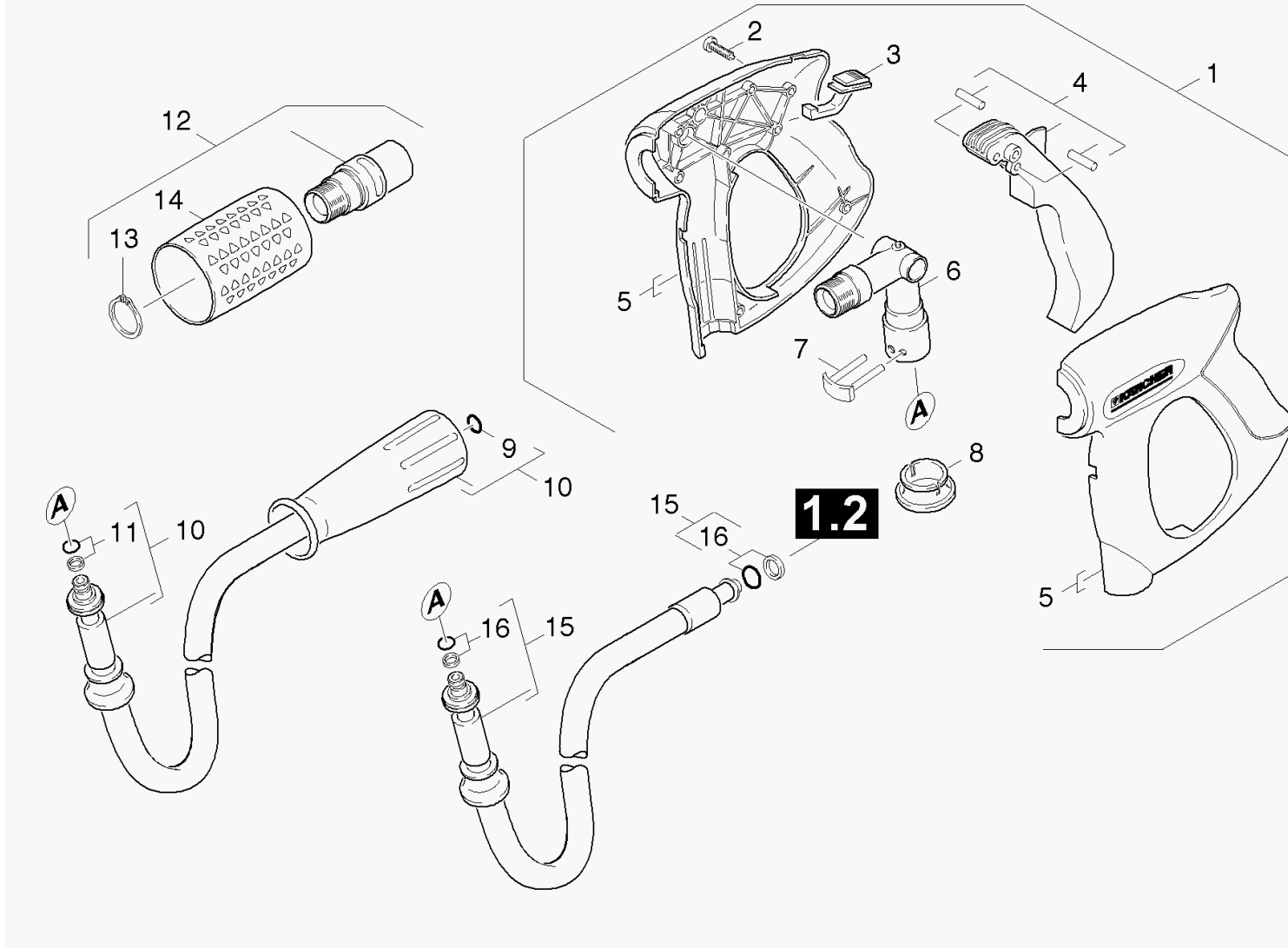
4.3 Nozzle

4.4 Nozzle

[/1.524-110.0](#)



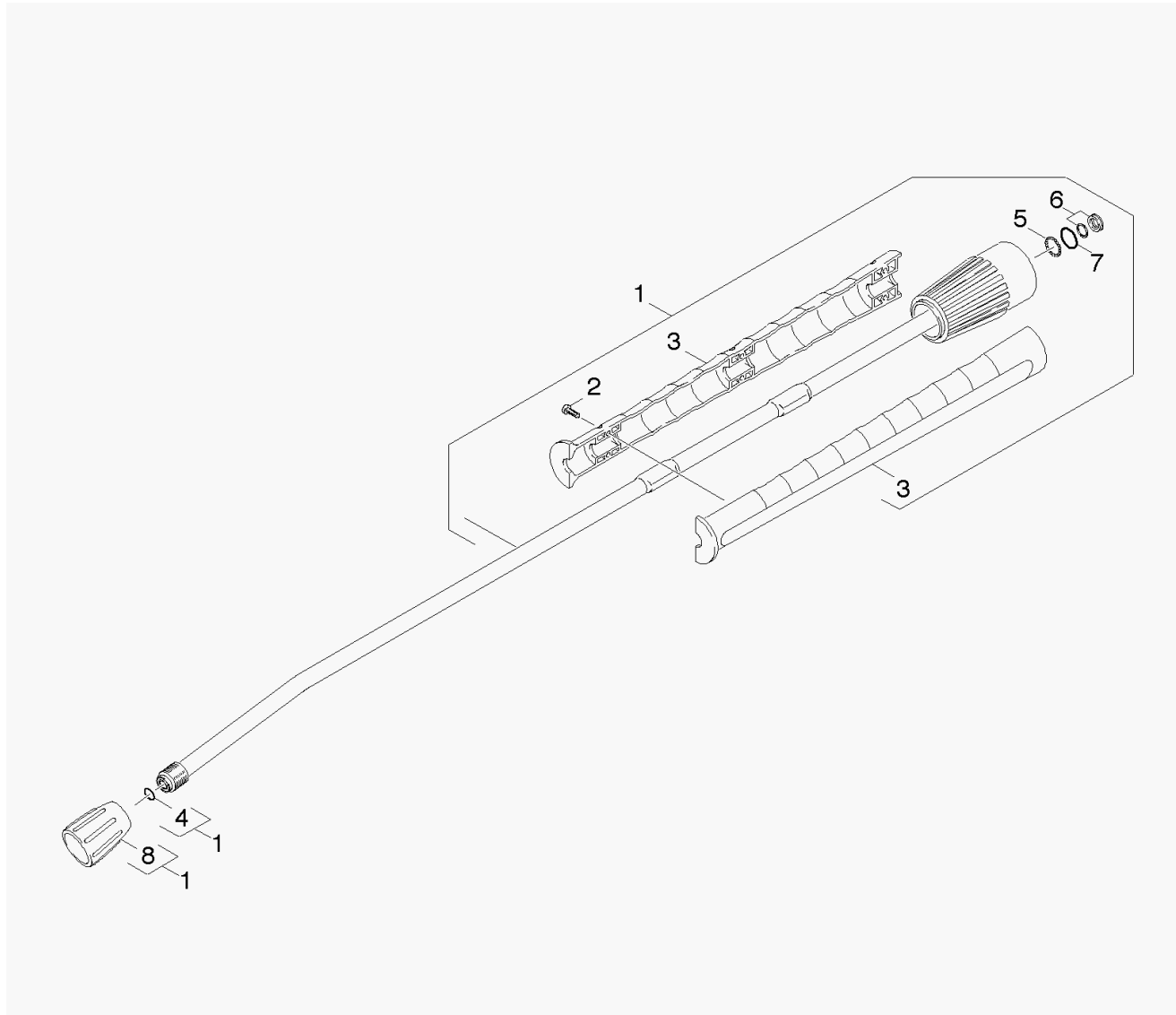
## 4.1 Trigger gun



## 4.1 Trigger gun

POS	DESCRIPTION ADDITIONAL INFORMATIONS	PART NO	QTY.	FROM SER.NR.	UP TO SER. NR.
1	TRIGGER GUN	47754630	1		
2	Screw 4 x 22-St-10.9-A2R (IN6RD)	73030960	7		
3	Slider	54813310	1		
4	LEVER kpl.	44812090	1		
5	Handhold few	53216690	1		
6	MANIFOLD kpl.	44272150	1		
7	HOOK	40370130	1		
8	SLEEVE	51105960	1		
9	Spare part set O-Ring seal 5x-Kaercher	28802960	1		
10	High pressure hose DN6-10m 1.524-100.0 / -103.0 / -104.0 / -107.0 /	63912380	1		
11	GASKET	63631160	1		
12	Rotary controller 270 l	47755260	1		
13	SPRING CLIP	73430080	1		
14	Handhold	53216680	1		
15	High pressure hose DN6 15m 1.524-101.0 / -106.0 / -108.0 / -109.0	63911720	1		
16	GASKET 1.524-101.0 / -106.0 / -108.0 / -109.0	63631160	2		

## 4.2 Jet pipe



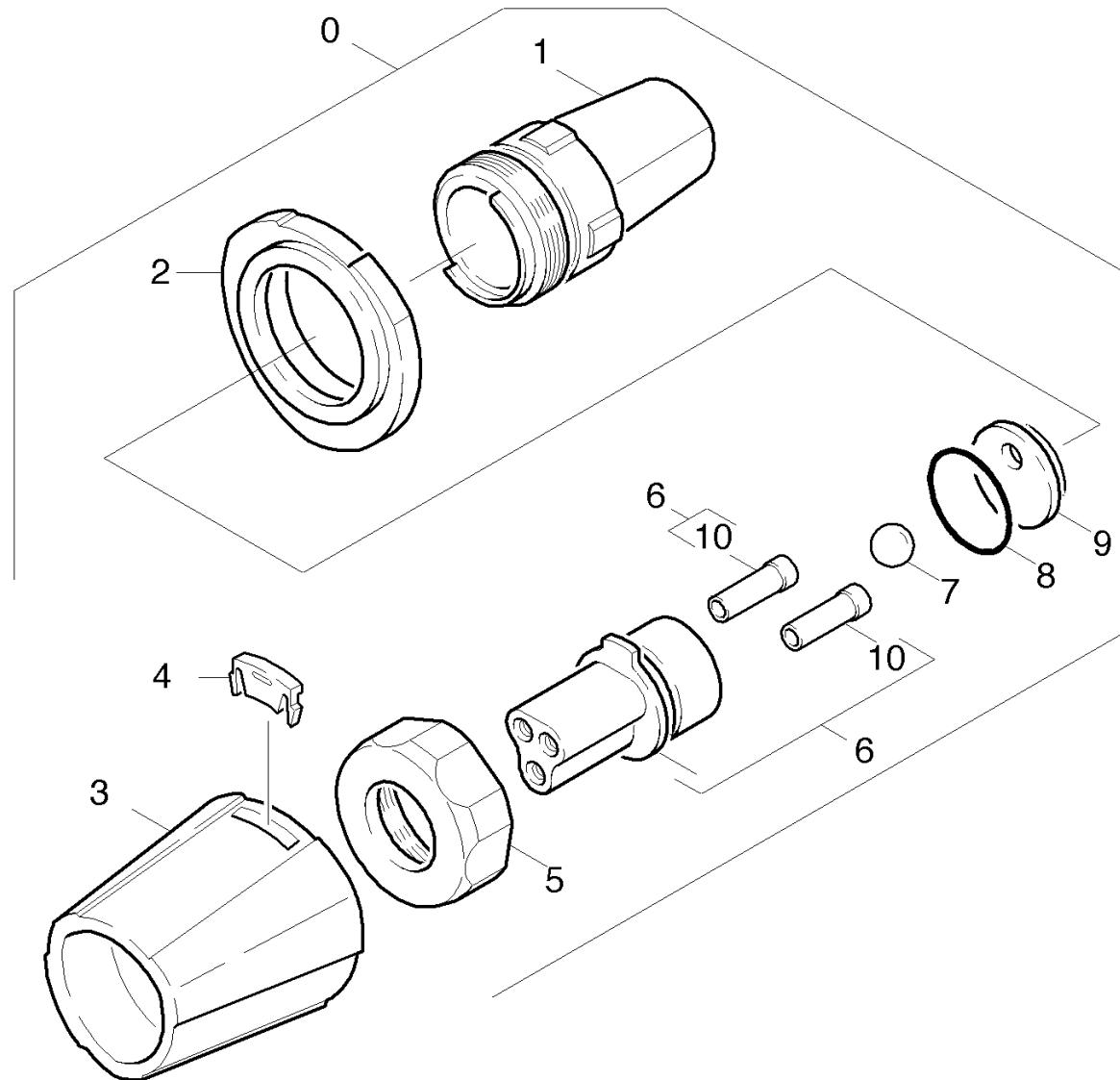


## 4.2 Jet pipe

POS	DESCRIPTION ADDITIONAL INFORMATIONS	PART NO	QTY.	FROM SER.NR.	UP TO SER. NR.
1	JET PIPE kpl.	47605500	1		
2	Screw 4x16 -10.9-R2R (K-In6Rd)	73031290	6		
3	Handhold few	53216910	1		
4	Spare part set O-Ring seal 5x-Kaercher	28802960	1		
5	Sphere 2,5 G20 -1.4034 DIN 5401	74019150	20		
6	O RING	63625320	1		
7	O-Ring seal 17,0 X 1,5	63625240	1		
8	SCREW UNION	54012100	1		

## 4.4 Nozzle

/1.524-110.0



## 4.4 Nozzle

### /1.524-110.0

POS	DESCRIPTION ADDITIONAL INFORMATIONS	PART NO	QTY.	FROM SER.NR.	UP TO SER. NR.
0	TRIPLE JET NOZZLE 047 <a href="#">1.524-110.0</a>	47670640	1		
1	HOUSING KPL.	40603950	1		
2	PROTECTION PART	53944010	1		
3	PROTECTION PART	53944020	1		
4	MOULDED PART	50317090	1		
5	UNION NUT	53111920	1		
6	NOZZLE HOLDER 047 <a href="#">1.524-110.0</a>	47641570	1		
7	Sphere 10,0 G100-1.4301 DIN 5401	74019170	1		
8	GASKET	63628310	1		
9	MOULDED PART	50313700	1		

## 5.0 Electric box

5.1 Electric box

[/1.524-104.0](#)

5.2 Electric box

[Version 1](#)

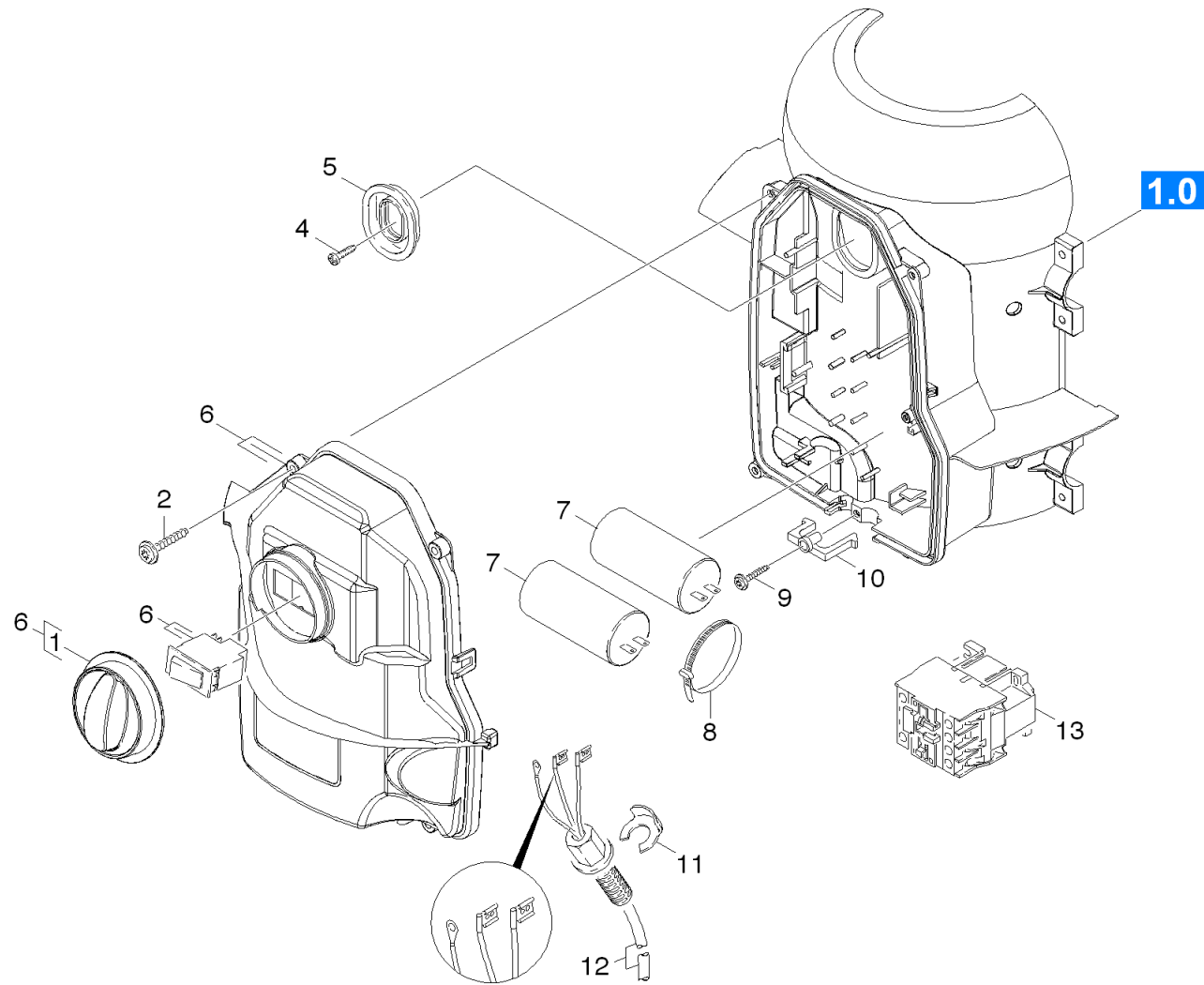
5.3 Electric box

[Version 2](#)



## 5.3 Electric box

### Version 2



## 5.3 Electric box

### Version 2

POS	DESCRIPTION ADDITIONAL INFORMATIONS	PART NO	QTY.	FROM SER.NR.	UP TO SER. NR.
1	Handle switch ETA	53217930	1		
2	Screw 5x20 -10.9-R2R (In6Rd)	73031080	5		
4	Screw M4x10 -St-P2R (In6Rd)	73030310	1		
5	SEAL	53651810	1		
6	Switch complete	47442100	1		
	<a href="#">/1.524-100.0 / -101.0 / -105.0 / -107.0/ -108.0</a>				
6	Switch complete only for replacement	47442210	1		
	<a href="#">/1.524-110.0</a>				
7	Capacitor 30MF	66610850	2		
	<a href="#">/1.524-110.0</a>				
7	CAPACITOR	66611680	1		
	<a href="#">/1.524-100.0 / -101.0 / -107.0 / -108.0</a>				
7	CAPACITOR 30 MF	66612280	1		
	<a href="#">/1.524-105.0</a>				
8	CABLE TIE	66470810	1		
9	Screw 5x25 -10.9-R2R (In6Rd)	73031090	1		
10	CLAMP ELEMENT	52630810	1		
11	Locking ring	63431860	1		
12	Cable with plug 1-Phasig	66492950	1		
	<a href="#">/1.524-100.0 / -101.0 / -105.0 / -107.0/ -108.0</a>				
12	Cable mit Stecker CDN/CSA	66493080	1		
	<a href="#">/1.524-110.0</a>				
13	Contacteur	66323550	1		
	<a href="#">/1.524-110.0</a>				